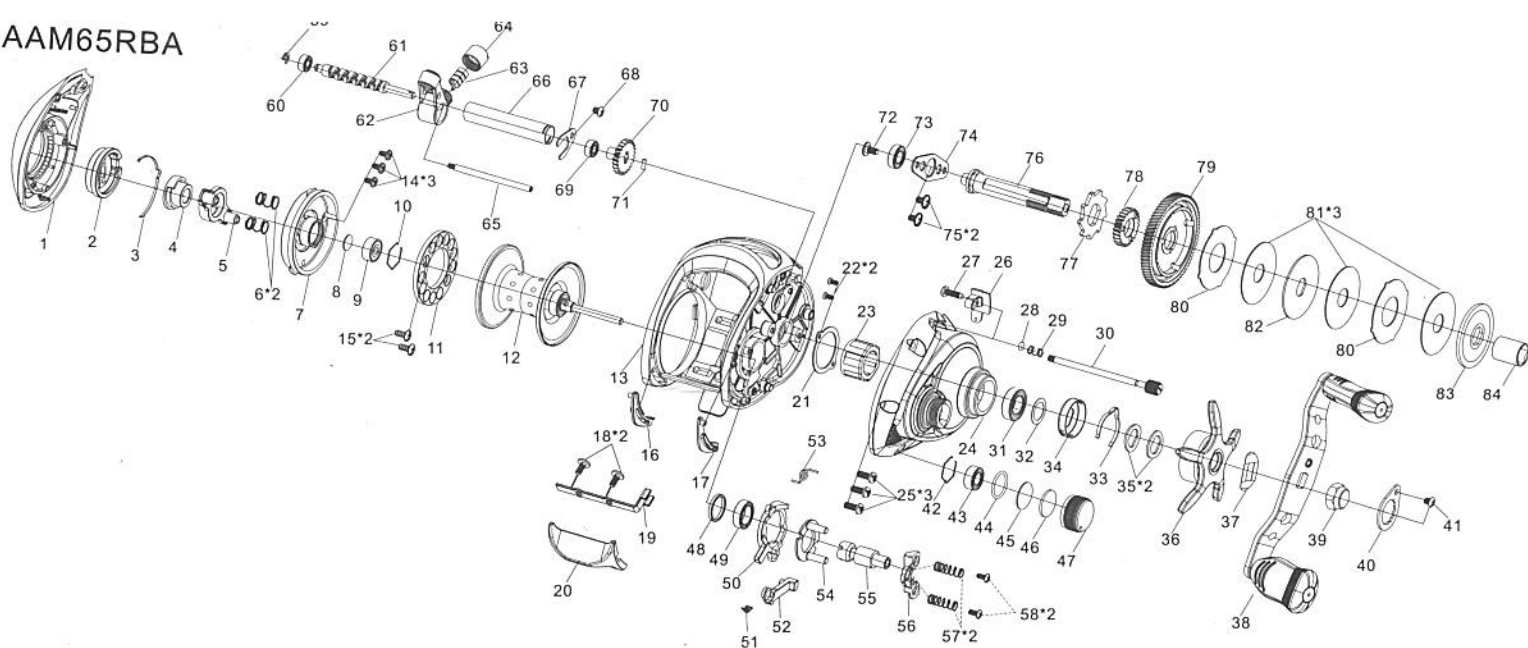


AAM65RBA



KEY NO. PART NAMES

1	LEFT SIDE PLATE ASSY
2	DRAG KNOB ASSY
3	CLICKER RING
4	CAM
5	CAM
6	SPRING
7	BRAKE PLATE
8	WASHER
9	BALL BEARING
10	HEXAGON CLIP
11	MAGNET PLATE ASSY
12	SPOOL ASSY(INCLUDE ONE BALL BEARING)
13	BODY ASSY
14	SCREW
15	SCREW
16	BUTTON SIDE PIECE
17	BUTTON SIDE PIECE
18	SCREW
19	CONNECTING STRIP
20	BUTTON
21	EAR WASHER
22	SCREW
23	ONE WAY CLUTCH
24	RIGHT SIDE PLATE
25	SCREW
26	LINE CLIP
27	SCREW
28	O-RING
29	SPRING
30	LOCK SCREW ASSY
31	BALL BEARING
32	WASHER
33	CLICKER RING
34	CLICKER RETAINER
35	WASHER
36	STAR DRAG
37	SPRING WASHER
38	HANDLE ASSY(INCLUDE FOUR BALL BEARINGS)
39	HANDLE SCREW CAP
40	LOCKING PLATE
41	SCREW

KEY NO. PART NAMES

42	HEXAGON CLIP
43	BALL BEARING
44	O-RING
45	WASHER
46	WASHER
47	DRAG NUT
48	BUSHING
49	BALL BEARING
50	CLUTCH RING
51	CLUTCH SPRING
52	CLUTCH PAWL
53	SPRING
54	CLUTCH REST
55	PINTON GEAR
56	CLUTCH PLATE
57	SPRING
58	SCREW
59	E-CLIP
60	BUSHING
61	WORM SHAFT
62	LINE GUIDE HOLDER
63	LINE GUIDE PAWL
64	LINE GUIDE HOLDER SCREW
65	LEVEL WIND SHIFT
66	LEVEL WIND GUARD
67	RETAINING PLATE
68	SCREW
69	BUSHING
70	WORM SHAFT GEAR
71	PIN
72	SCREW
73	BALL BEARING
74	PRESSURE PLATE
75	SCREW
76	GEAR SHAFT
77	GEAR
78	GEAR
78	MAIN GEAR
80	EAR WASHER
81	WASHER
82	KEY WASHER
83	KEY WASHER
84	BUSHING