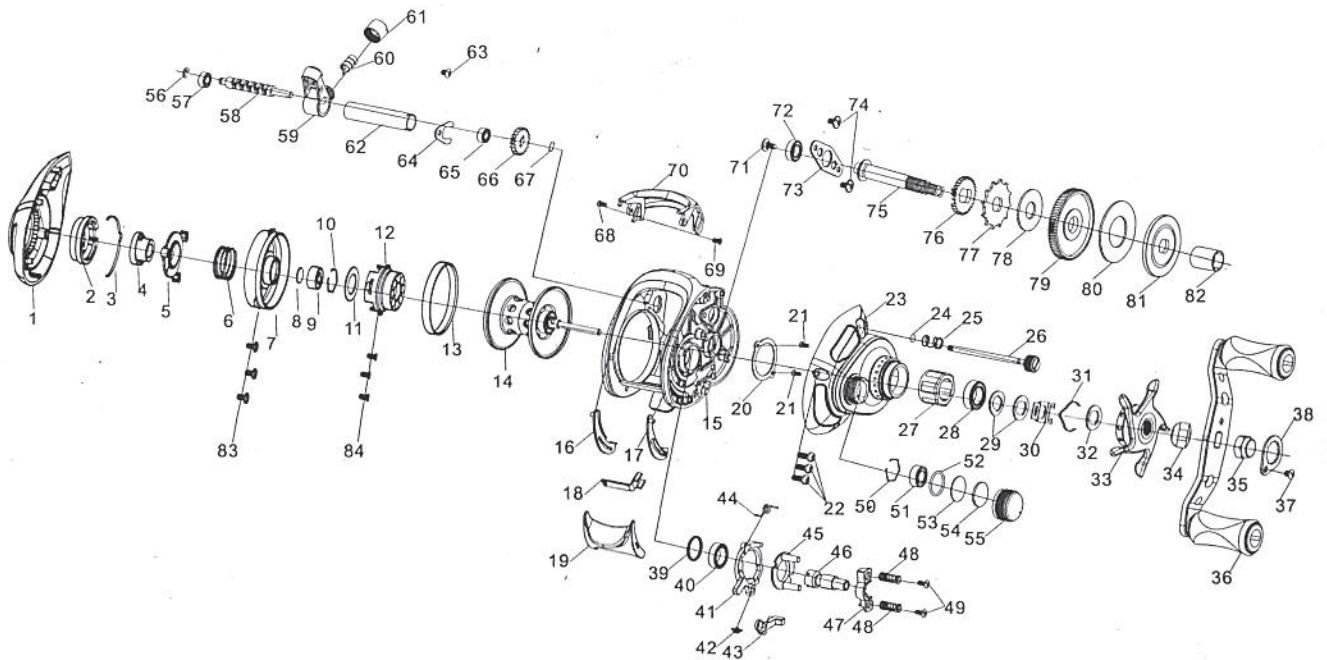


AAG73RBA, AAG73LBA & AAG65RBA



KEY NO. PART NAMES

- 1 LEFT SIDE PLATE ASSY
- 2 DRAG KNOB ASSY
- 3 CLICKER RING
- 4 CAM
- 5 CAM
- 6 SPRING
- 7 BRAKE PLATE
- 8 WASHER
- 9 BALL BEARING
- 10 HEXAGON CLIP
- 11 MAGNET PLATE
- 12 MAGNET PLATE ASSY
- 13 BRAKE RING
- 14 SPOOL ASSY(INCLUDE ONE BALL BEARING)
- 15 BODY ASSY
- 16 BUTTON SIDE PIECE
- 17 BUTTON SIDE PIECE
- 18 CONNECTING STRIP
- 19 BUTTON
- 20 EAR WASHER
- 21 SCREW
- 22 SCREW
- 23 RIGHT SIDE PLATE
- 24 O-RING
- 25 SPRING
- 26 LOCK SCREW ASSY
- 27 ONE WAY CLUTCH
- 28 BALL BEARING
- 29 WASHER
- 30 CLICKER RETAINER
- 31 CLICKER RING
- 32 WASHER
- 33 STAR DRAG
- 34 SPRING WASHER
- 35 HANDLE SCREW CAP
- 36 HANDLE ASSY(INCLUDE FOUR BALL BEARINGS)
- 37 SCREW
- 38 LOCKING PLATE
- 39 BUSHING
- 40 BALL BEARING
- 41 CLUTCH RING

KEY NO. PART NAMES

- 42 CLUTCH SPRING
- 43 CLUTCH PAWL
- 44 SPRING
- 45 CLUTCH REST
- 46 PINION GEAR
- 47 CLUTCH PLATE
- 48 SPRING
- 49 SCREW
- 50 HEXAGON CLIP
- 51 BALL BEARING
- 52 O-RING
- 53 WASHER
- 54 WASHER
- 55 DRAG NUT
- 56 E-CLIP
- 57 BALL BEARING
- 58 WORM SHAFT
- 59 LINE GUIDE HOLDER
- 60 LINE GUIDE PAWL
- 61 LINE GUIDE HOLDER SCREW
- 62 LEVEL WIND GUARD
- 63 SCREW
- 64 RETAINING PLATE
- 65 BALL BEARING
- 66 WORM SHAFT GEAR
- 67 PIN
- 68 SCREW
- 69 SCREW
- 70 ORNAMENT
- 71 SCREW
- 72 BALL BEARING
- 73 PRESSURE PLATE
- 74 SCREW
- 75 GEAR SHAFT
- 76 GEAR
- 77 GEAR
- 78 WASHER
- 79 MAIN GEAR
- 80 WASHER
- 81 KEY WASHER
- 82 BUSHING
- 83 SCREW
- 84 SCREW