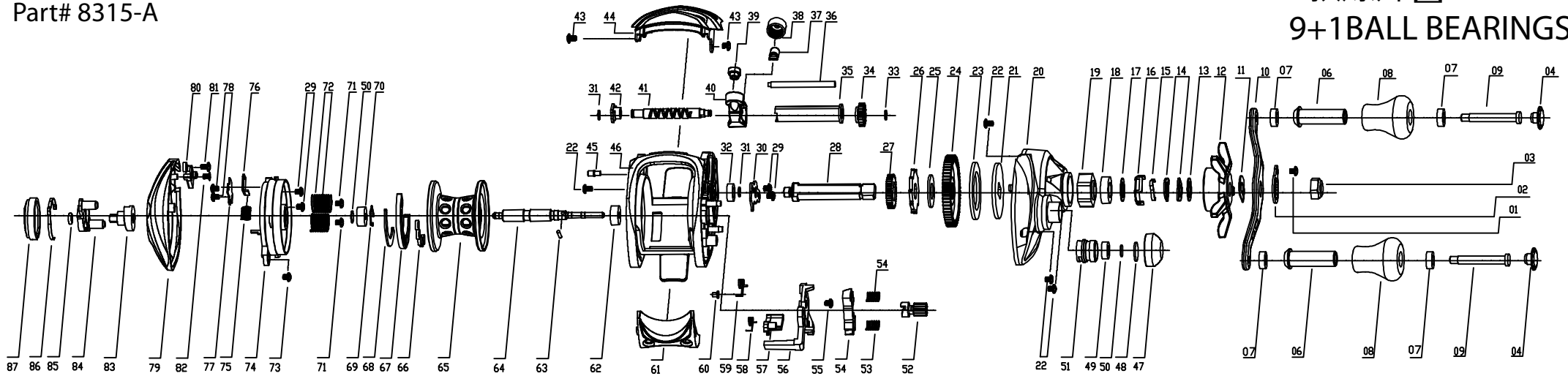


Part# 8315-A

9款爆炸区
9+1 BALL BEARINGS



78.TAPPING SCREW
79.LEFT COVER
80.STOPPER LEVER
81.TAPPING SCREW
82.TAPPING SCREW
83.SLIDER A
84.SLIDER B
85.O RING
86. SPRING PLATE
87.CONTROL DIAL

63.MAIN SHAFT PIN
64.MAIN SHAFT
65.SPOOL
66.MAGNET
67.MAGNET HOLDER
68.MAGNET PLATE
69.SPRING
70.BALL BEARING
71.TAPPING SCREW
72.SPRING
73.TAPPING SCREW
74.SPOOL COVER
75.SPRING
76.STOPPER
77.STOPPER PLATE

48.RUBBER
49.BALL BEARING
50.WASHER
51.RIGHT COVER INSERT
52.PINION GEAR
53.SPRING
54.CLUTCH
55.TAPPING SCREW
56.CLUTCH CAM
57.KICK LEVER
58.SPRING
59.SPRING
60.SPRING GUIDE
61.THUMB BAR
62.BALL BEARING

33.E-RING
34.W-PINION GEAR
35.PIPE
36.PILLAR
37.LEVEL WIND PIN
38.LEVEL WIND NUT
39.LINE GUIDE
40.LEVEL WIND
41.WORM SHAFT
42.BUSH
43.TAPPING SCREW
44.FRONT COVER
45.FRAME PIN
46.FRAME
47.BUTTON

18.BALL BEARING
19.O/WAY CLUTCH
20.RIGHT COVER
21.D-WASHER
22.TAPPING SCREW
23.WASHER
24.DRIVE GEAR
25.WASHER
26.RACHER
27.OS GEAR
28.GEAR METAL
29.TRAPPING SCREW
30.BEARING PLATE
31.E-RING
32.BALL BEARING

01.SCREW
02.H/RETAINER
03.HANDLER NUT
04.HANDLE NUT COVER
06. INSIDE HANDLE KNOB
07.BALL BEARING
08. HANDLE KNOB
09. HANDLE SHAFT
10. HANDLE SHANK
11. LEAFT SPRING
12. STAR MODE SPANNER
13. WASHER
14. SPRING WASHER
15. SPRING
16.SPRING PLATE
17.WASHER

OWNERS MANUAL

Part# 8315-A