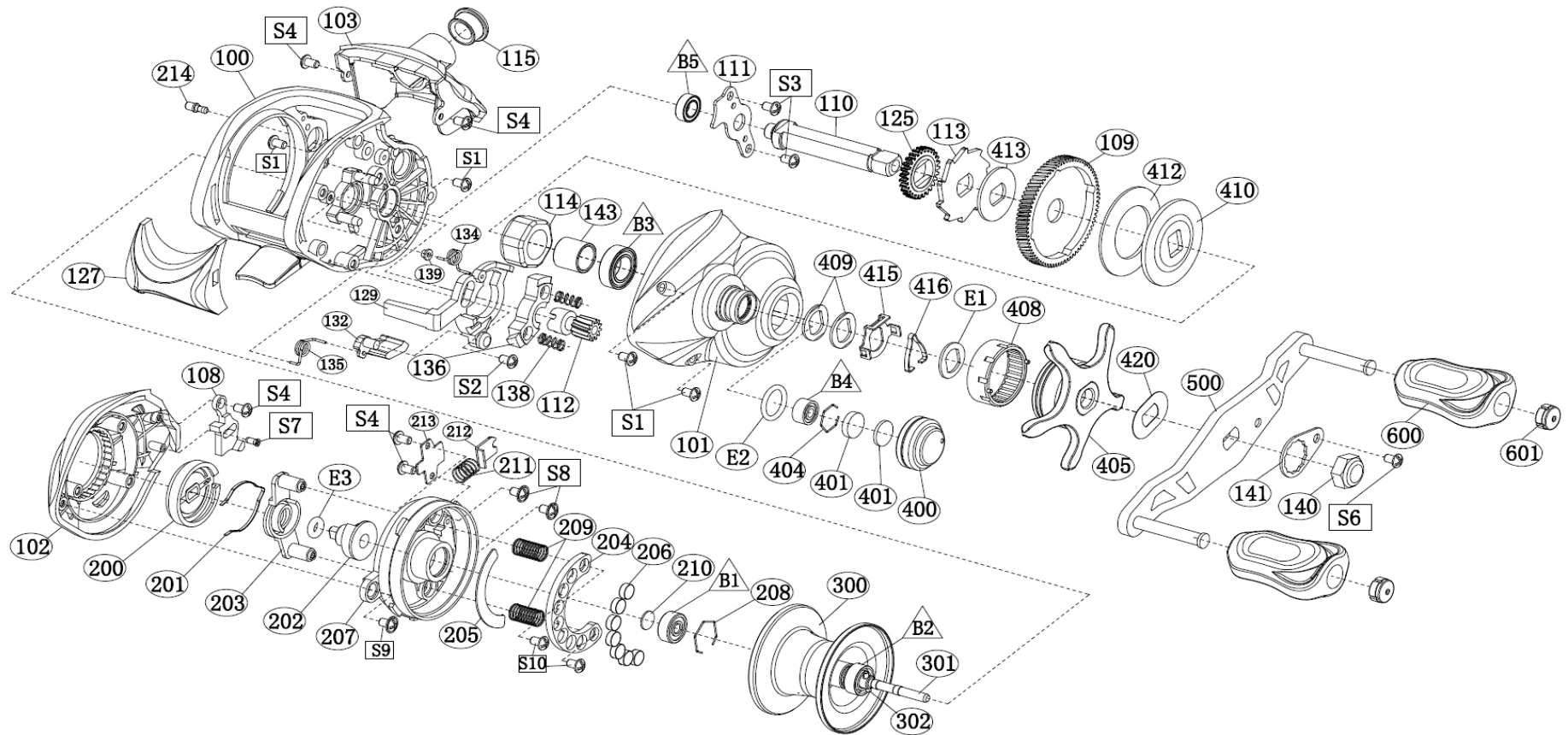


AAB65RBF
AAB65LBF
AAB73RBF

8469-A



100	frame	113	ratchet wheel	139	spring bushing	205	magnet plate	214	frame pin	409	washer	601	handle knob cap
101	gear side cover	114	o/way clutch	140	handle nut cap	206	magnet	300	spool	410	d-washer		
102	palm side cover	115	line guide	141	handle nut	207	spool cover	301	main shaft	412	washer		
103	front cover	127	thumb bar	143	o/way clutch inside	208	jump ring	302	main shaft pin	413	washer		NOTE:
108	stopper lever	129	clutch cam	200	control dial	209	spring	400	button	415	spring plate		B: bearing
109	drive gear	132	kick lever	201	control dial spring	210	rubber	401	rubber	416	sonud sheet		S: screw
110	gear metal	135	torsion spring	202	slider a	211	spring	404	jump ring	420	leaf spring		E: washer or O ring
111	bearing plate	136	clutch	203	slider b	212	stopper	405	star drag	500	handle arm		
112	clutch gear	138	spring	204	magnet holder	213	stopper plate	408	sound gear	600	handle knob		